

ORBİK



# Calabor

Product Data Sheet



[www.orbik.co.uk](http://www.orbik.co.uk)

# Calabor

Fully recessed emergency luminaire or exit sign



Mains Luminaire or Exit Sign

Emergency Luminaire or Exit Sign

LED Luminaire or Exit Sign

**Calabor** is an attractive, fully recessed emergency luminaire available in white as standard with brass and chrome as options. The **Calabor** features a robust galvanised rear body which recesses fully into the ceiling and only requires a ceiling depth of 90mm. Within the fitting a hinged, removable gear tray facilitates easy fixing and maintenance whilst the front trim plate with a diffuser ensures a neat and attractive finish. Standard models are supplied with a prismatic polycarbonate diffuser but can be supplied with opal if preferred.

**Calabor** is available as a recessed edge-lit exit sign, with an exit fascia manufactured from Plasi-Glas, a light conducting flame retardant plastic almost impossible to distinguish from glass but with the strength of plastic. **Calabor** is also available with long life light emitting diode (LED) light sources.



Calabor luminaire in standard white finish

## Catalogue Numbers

### Mains Luminaires

Cat No	Lamp & Mode	Mains Lumens	Weight
CAL1X8	8 Watt mains luminaire	400	2.20Kg
CAL/LED	LED mains luminaire	360	2.20Kg

### Emergency Luminaires

Cat No	Lamp & Mode	Emergency Lumens	Weight
CAL8/NM3/E	8 Watt NM3 white luminaire economy output	80	2.70Kg
CAL8/NM3	8 Watt NM3 white luminaire standard output	120	2.70Kg
CAL8/NM3/H	8 Watt NM3 white luminaire high output	180	2.70Kg
CAL2X8/NM3	2 x 8 Watt NM3 white luminaire standard output	240	3.00Kg
CAL2X8/NM3/H	2 x 8 Watt NM3 white luminaire high output	360	3.00Kg
CAL8/M3/E	8 Watt M3 white luminaire economy output	80	2.90Kg
CAL8/M3	8 Watt M3 white luminaire standard output	120	2.90Kg
CAL8/M3/H	8 Watt M3 white luminaire high output	180	2.90Kg
CAL/LED/M3	LED M3 white luminaire	125	2.20Kg

### Slave Luminaires

Cat No	Lamp & Mode	Emergency Lumens	Weight
CAL8/#D	8 Watt slave white luminaire	275	2.10Kg
CAL/LED/#D	LED slave white luminaire	125	2.10Kg

Replace # with AC/DC system Voltage 24, 50, 110 or 230 Volts, for LED versions replace # with AC/DC system Voltage 110 or 230 Volts



Calabor exit sign in standard white finish

## Colour Finishes & Options

### Suffix:

/135MM	135mm depth legend panel
/AD	Intelligent addressable luminaire
/BR	Brass finish
/CH	Chrome finish
/DALI	DALI emergency control gear
/EX	Exit sign
/EX/D	Double-sided legend
/HF	High frequency ballast
/O	Opal diffuser
/ST	Digital self-testing luminaire

## Specification

Body:	Galvanised steel enclosure/sheet steel fascia
Legend Panel:	Flame retardant polycarbonate
Charger LED:	Constant current with green LED for mains healthy and connected battery
Lamps:	8 Watt T5 fluorescent
LED's:	25W chip-on-board LED



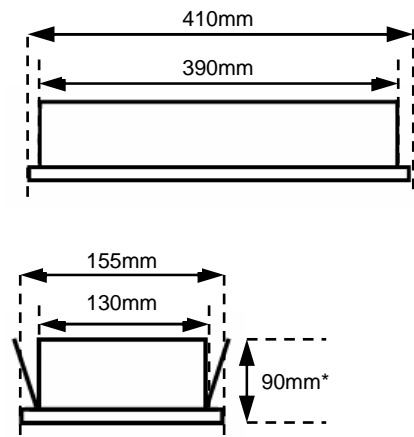
Calabor with brass finish



Calabor with chrome finish

## Dimensions

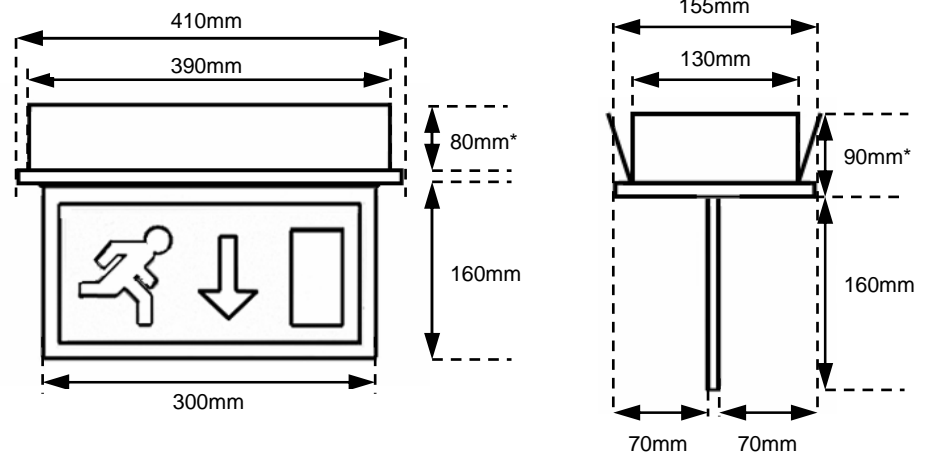
### Luminaires



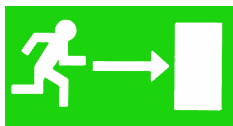
\* Overall dimension is 90mm of which lip dimension is 10mm

Cut-Out Dimensions: Length 325mm x Width 130mm (85mm minimum ceiling void)  
Viewing Distance: 32 Metres (exit versions)

### Exit Signs



### Legend Panels (Exit Signs Only)



L16



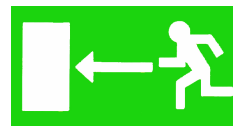
L17



L18



L19



L20

### Technical Information

Luminaire data files are available for inclusion into lighting design software packages. Photometric data is available at [www.relux.biz](http://www.relux.biz) and further lighting design information is available from our catalogue or [www.orbik.co.uk](http://www.orbik.co.uk).

### Installation Instructions

- Connect the mains cable(s), which should be a maximum of 1mm<sup>2</sup> solid core.
- The supply for a non-maintained emergency circuit must be unswitched and is connected to the unswitched input.
- The supply to a non-emergency circuit can be switched and is connected to the switched input.
- If a single unswitched supply is used for both emergency and normal use a link should be connected between the unswitched supply and switched supply terminals.
- Mark the battery pack with date of installation and connect the battery to the module.
- For testing purposes a fused spur or keyswitch should be included in the unswitched supply.